

Outdoor Central PV Inverter for 1500V System

SPI4167K-B-HUD



Product Features

High performance

- 3-level technology, max. efficiency up to 99.02%
- 115% long-term overload at 30°C, full load operation at 50°C

Safety and reliability

- Adapt to environment of high temperature, salt, and extreme cold etc.
- IP65 protection, C5 anti-corrosion grade
- Intelligent fan speed control and fault detection for system reliability
- Anti-PID function to ensure power generation

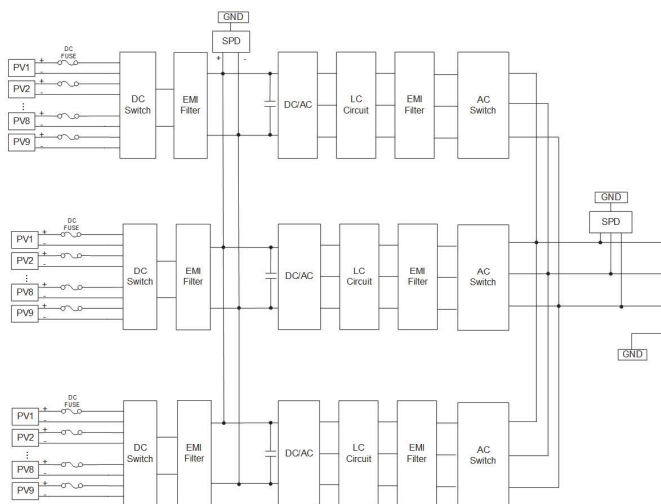
Advanced intelligence

- Intelligent fault recording function for fast analysis
- Intelligent online upgrade function for easy management

Saved investment

- DC 1500V system, low system cost
- Modular and compact product design

Function Diagram



Technical Specification

Items	SPI4167K-B-HUD
DC Input	
Max. PV input voltage	1500Vdc
Max. PV input current	5094A
No. of PV input strings	27~30 optional
No. of MPPTs	3
MPPT voltage range	960~1500Vdc
Starting voltage	985Vdc
MPPT efficiency	>99.9%
AC Output	
Rated AC output power	4167kW
Max. output power	4792kVA
Max. output current	4192A
Rated AC output voltage	660V
Rated grid frequency	50Hz
Grid frequency range	47.5~52.5Hz
Power factor	>0.99 (at rated power)
PF adjustable range	0.8 leading~0.8 lagging
THDi	<3% (at rated power)
Efficiency	
Max. efficiency	99.0%
European efficiency	98.7%
Protection	
LVRT function	Yes
AC side parallel technology	Yes
Fault wave record diagnosis	Yes
Online upgrade	Yes
Night SVG function	Optional
Anti-PID function	Optional
General	
Dimensions (W×H×D)	2990×2400×1970mm
Weight	4500kg
IP grade	IP65
Cooling type	Intelligent forced air cooling
Altitude	4000m (>3000m derating)
Operating temperature range	-35°C~60°C
Relative humidity	0~100%
Display	LCD
Communication	Ethernet (standard) / RS485 (optional)
Standard	IEC62109, IEC61000, IEC61727, IEC62116, IEC60068, IEC60529, IEC61683

■ Specifications are subject to change without prior notice.

Kehua Hengsheng Co., Ltd.

Add: No. 457, Malong Road, Torch High-Tech Industrial Zone, Xiamen Fujian China

Tel: +86-592-5160516 Fax: +86-592-5162166 www.kehua.com

